

Down View Computer Podium - DVP

Specification Sheet

KEY FEATURES

- Lifetime Warranty
- Fast Shipping
- Quantity Discounts
- High-Density Fiberboard Surface
- 14 Gauge Recycled Steel Frame
- High-Pressure WilsonArt Laminate
- Scratch / Dirt Resistant Power Coat
- Premium T-Molding
- Assembled in USA

CERTIFICATIONS

- Buy American Act Compliant
- ANSI/BIFMA Certified
- LEED Credit Potential
- Sustainable Furnishings Council

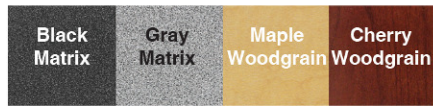
MODEL #	WIDTH	DEPTH	HEIGHT	WEIGHT
DVP-2627	26"	27"	43" to 45"	145 lbs.

INCLUDED ACCESSORIES

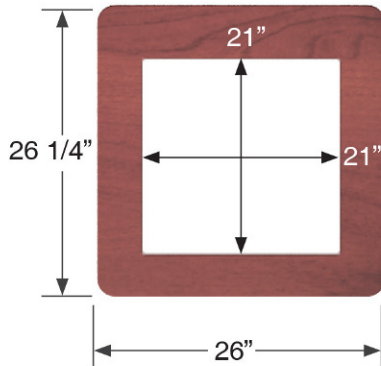
- (1) Keyboard Drawer



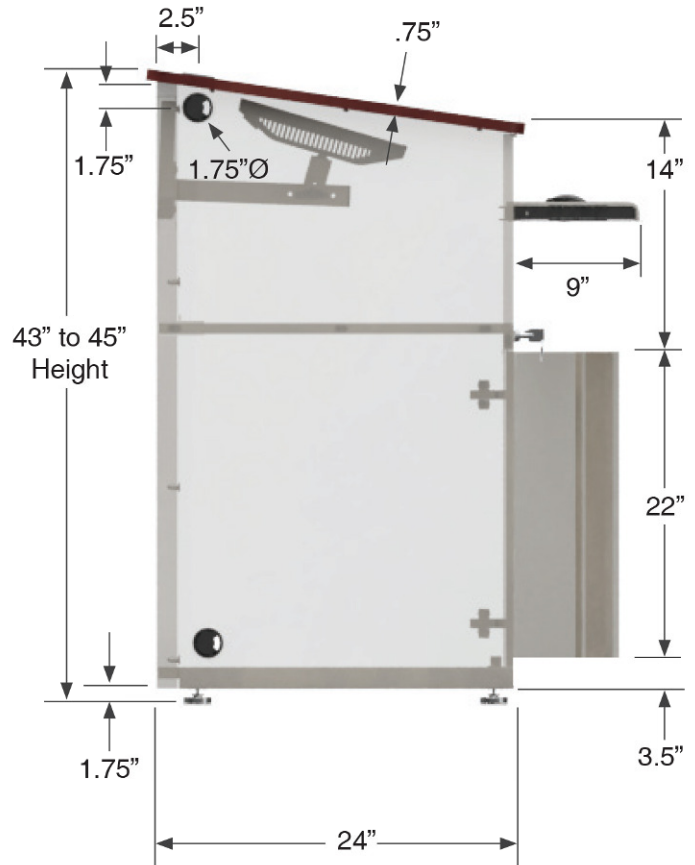
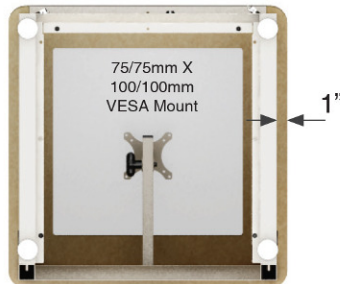
SURFACE COLORS



FRAME COLORS



Underside View



Sales:

Local: 310-353-7100
 Toll Free: 888-929-0322
 Fax: 310-353-7109

Support@VersaTables.com



Lifetime Warranty



Quantity Discounts



Assembled in USA



Fast Shipping