

## Podium Laptop Shelf ACC-PLS

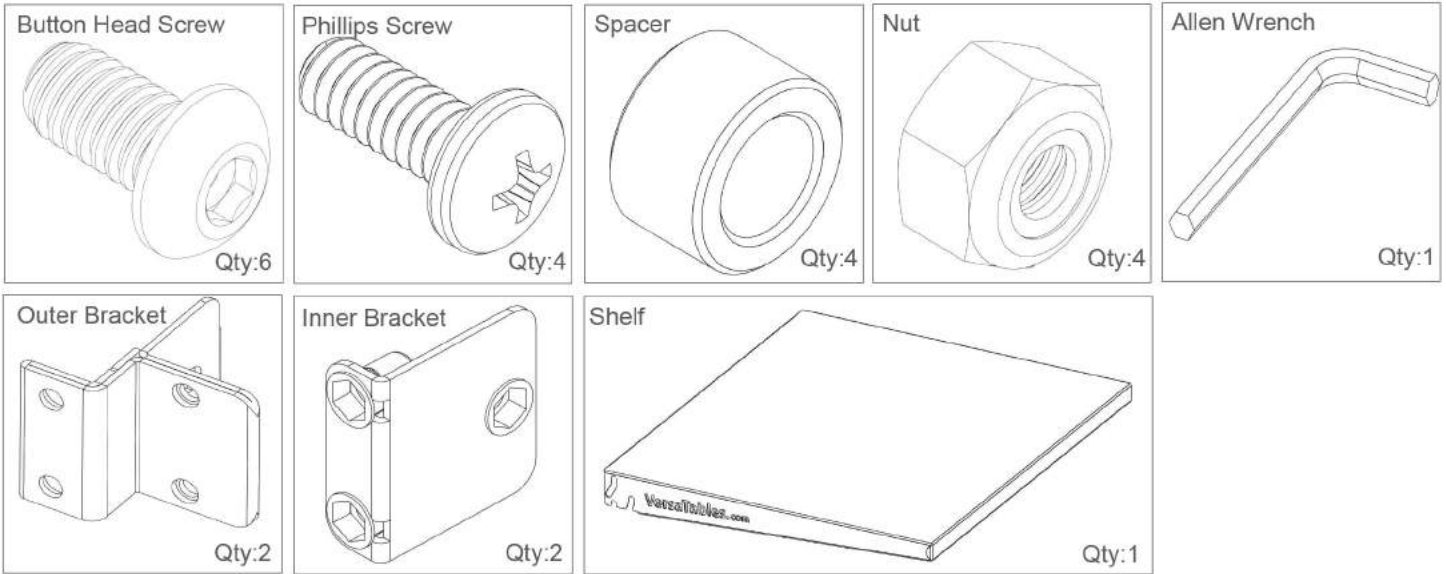
## Assembly Instructions



How can we improve our assembly instructions?  
Your comments and suggestions are important to us.  
Please e-mail us at: [support@versatables.com](mailto:support@versatables.com).

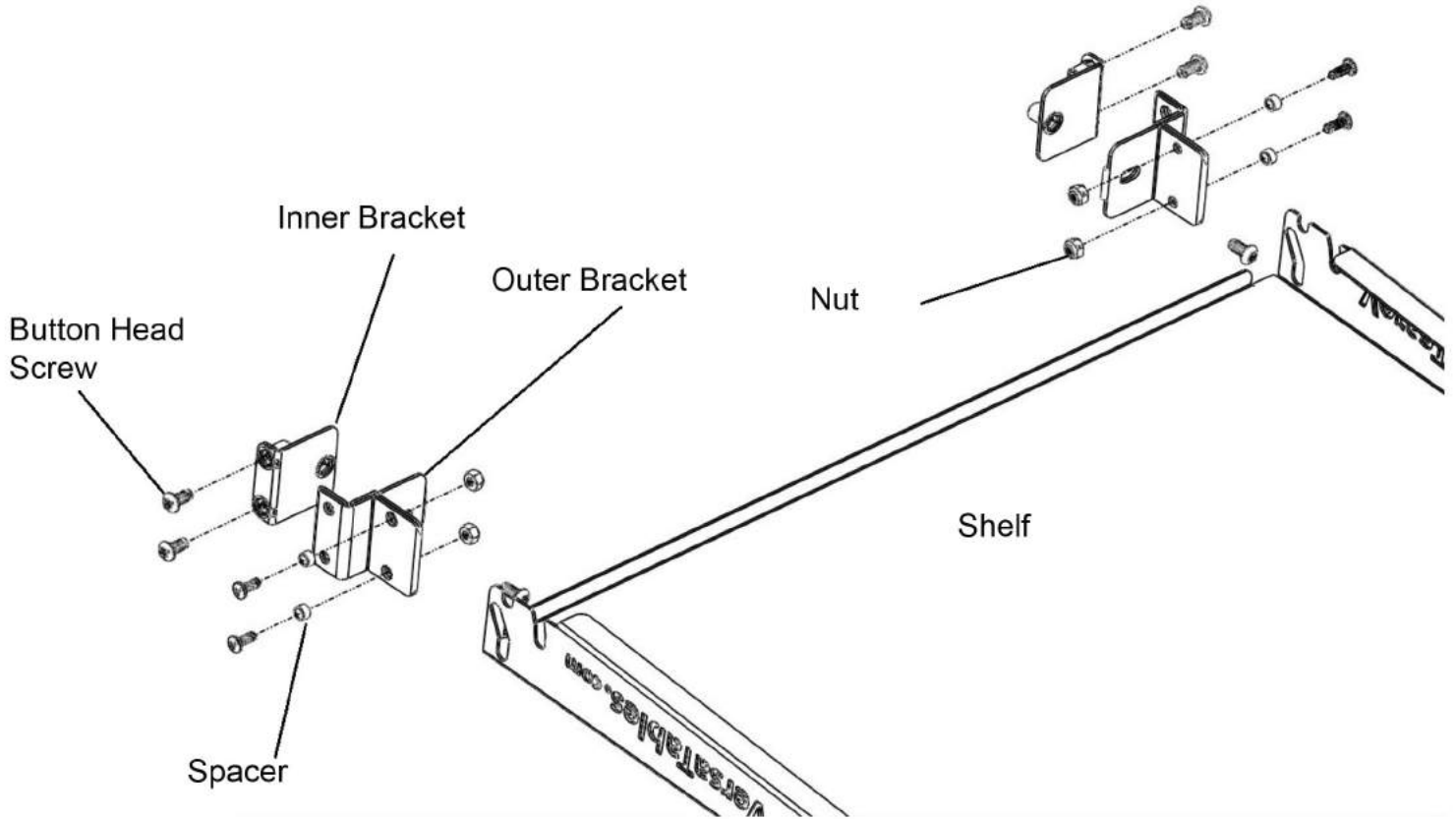
# Hardware & Parts List

## Podium Laptop Shelf



### Additional Tools Required

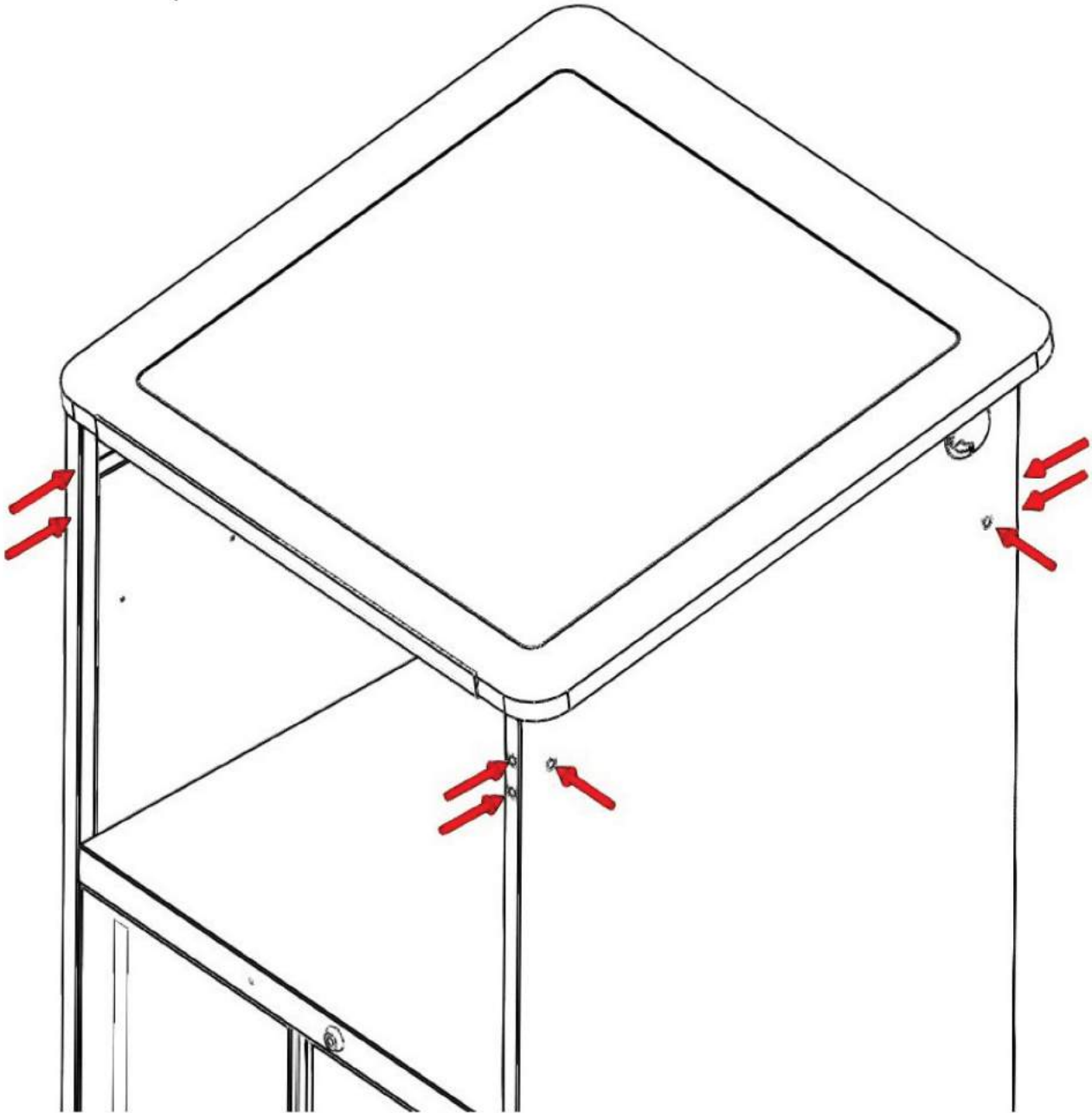




### Step 1

### Knokouts Locations

Use screwdriver to push out the knockouts on the left or right side of the podium.

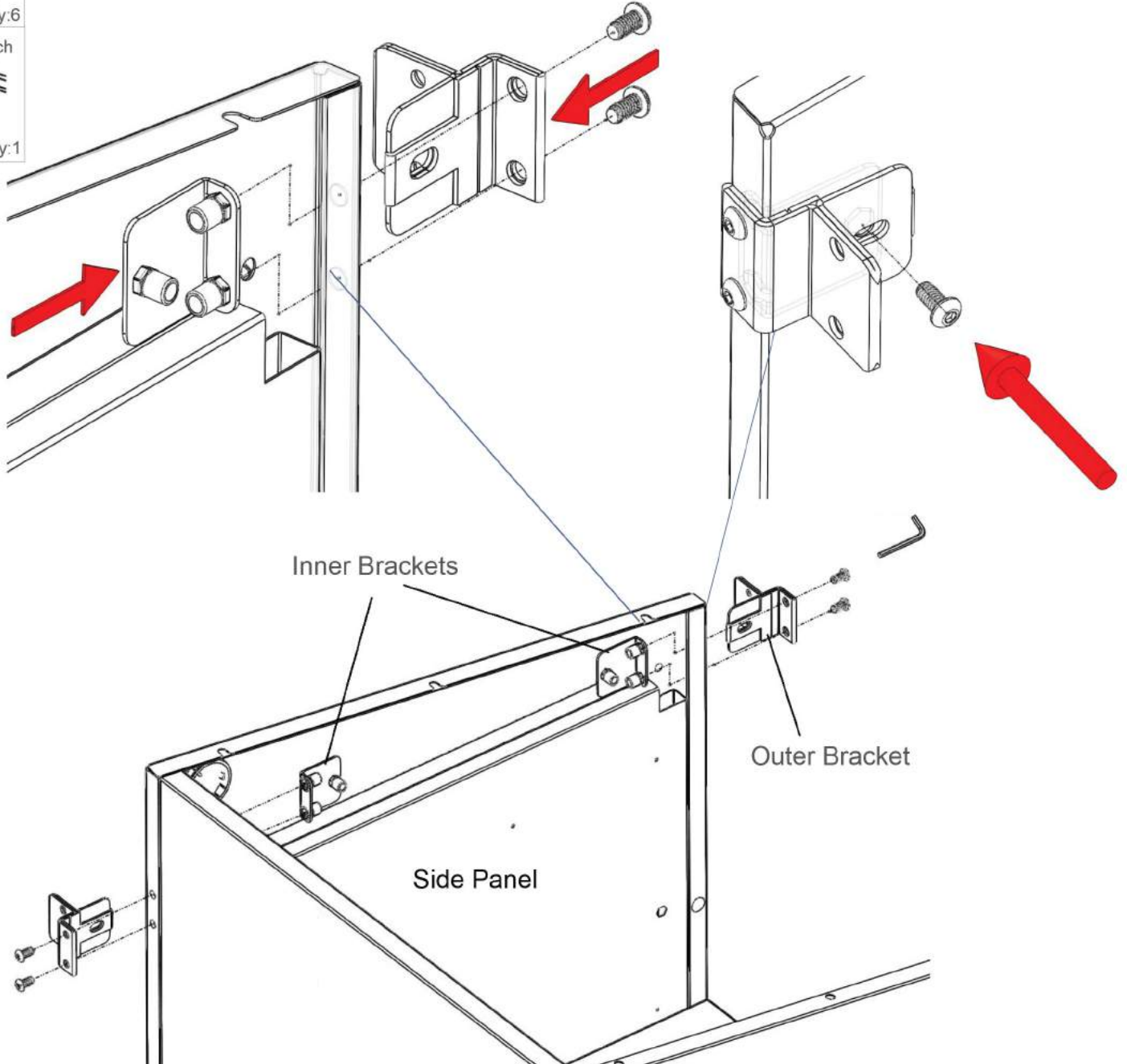




### Step 2

### Attach the Inner and Outer Brackets

Align the holes of the Inner Bracket, Side Panel, and Outer Bracket with one another by inserting the Inner Bracket inside the Side panel and attaching the Outer Bracket from outside. Use the Allen Wrench and Button Head Screws to attach the brackets.



**NOTE: Repeat this step for the second set of brackets**

### Step 3

### Attach the Shelf

Attach the Shelf onto the Outer Brackets using (4) sets Phillips Screws, Spacers, and Nuts

Phillips Screw



Qty:4

Spacer

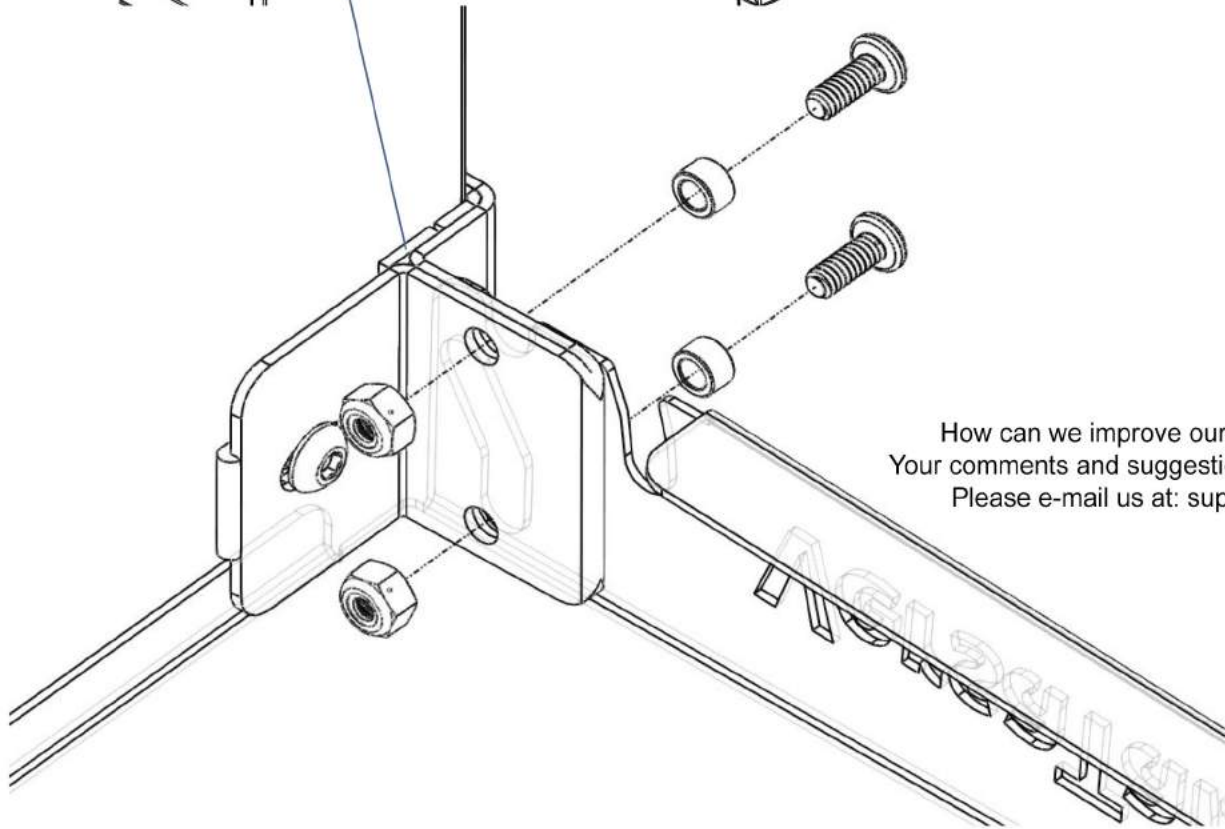
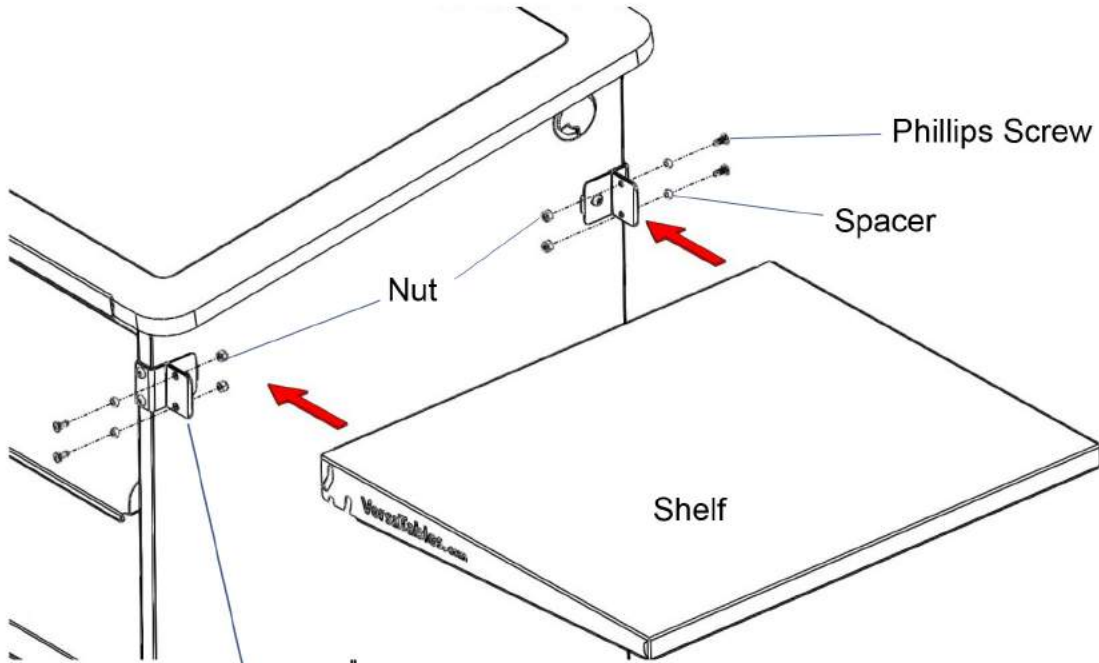


Qty:4

Nut



Qty:4



How can we improve our assembly instructions?  
Your comments and suggestions are important to us.  
Please e-mail us at: [support@versatables.com](mailto:support@versatables.com).