

## Revolution Desk Series RSD 36", 48", 60" & 72"

## Assembly Instructions



How can we improve our assembly instructions?  
Your comments and suggestions are important to us.  
Please e-mail us at: [support@versatables.com](mailto:support@versatables.com).

## Revolution Desk Series

1/4-20 Phillips Head Bolt



Qty:4

20mm Furniture Bolt



Qty:12

4mm Allen Wrench



Qty:1

1/2-13 Leveler



Qty:4

Caster & Caster with Lock



OPTIONAL

Qty:2

8mm LCD Flat Screen Mounting Screw



Qty:4 for 36" & 48"  
Qty:8 for 60" & 72"

Main Platform with Built in Cross Support



Zip Tie & Curly Tie



Qty:5

18mm LCD Flat Screen Mounting Screw



Qty:4 for 36" & 48"  
Qty:8 for 60" & 72"



Qty:1

Kick Panel



Qty:1

3/16" Spacer



Qty:4 for 36" & 48"  
Qty:8 for 60" & 72"

Side Frame Panel ( Left & Right )



Qty:2

Cable Management tray



Qty:1

3/4" Phillips Pan Head Screw



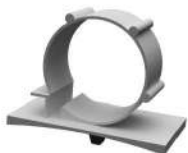
Qty:4 for 36" & 48"  
Qty:8 for 60" & 72"

Keyboard Drawer



Qty:1 for 36" & 48"  
Qty:2 for 60" & 72"

Cable Management Clip



Qty:3 for 36" & 48"  
Qty:6 for 60" & 72"

CPU Holder



Qty:0 for 36" & 60"  
Qty:1 for 48"  
Qty:2 for 72"

### Step 1

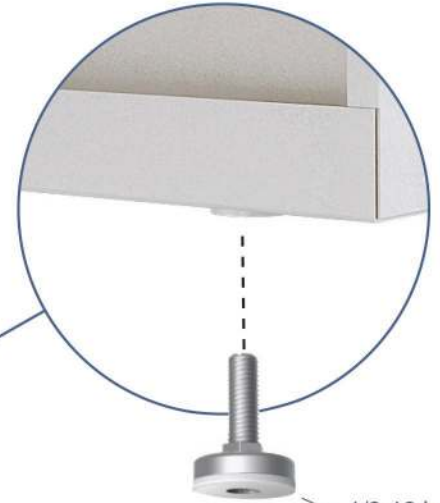
### Install Levelers

Screw in all four Levelers into Side Frame Panels.

1/2-13 Leveler



Qty:4



1/2-13 Leveler

### Step 2

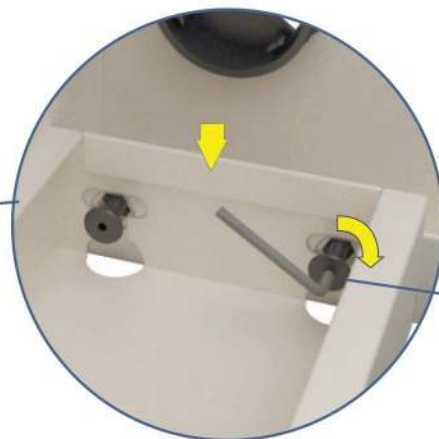
### Attach Cable Management Tray

Insert (2) 20mm Furniture Bolts to each Side Panel half way. Then drop Cable Management Tray unto screws and tighten.

20mm Furniture Bolt



Qty:4



20mm Furniture Bolt

### Step 3

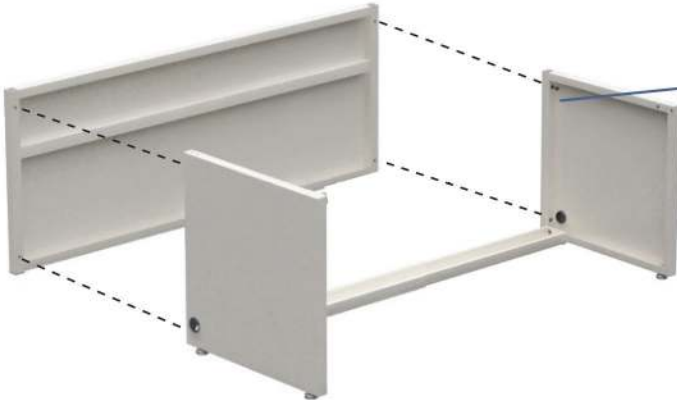
### Attach Kick Panel

20mm Furniture Bolt



Qty:4

Place Kick Panel behind both Side Frame Panels and attach it using (4) 20mm Furniture Bolts.



20mm Furniture Bolt

### Step 4

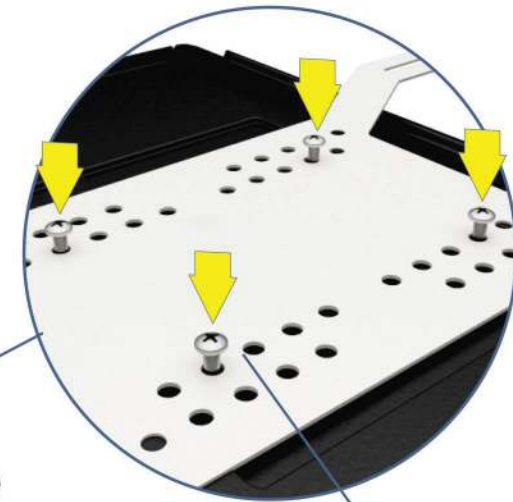
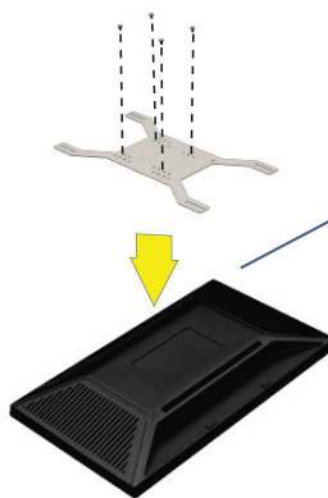
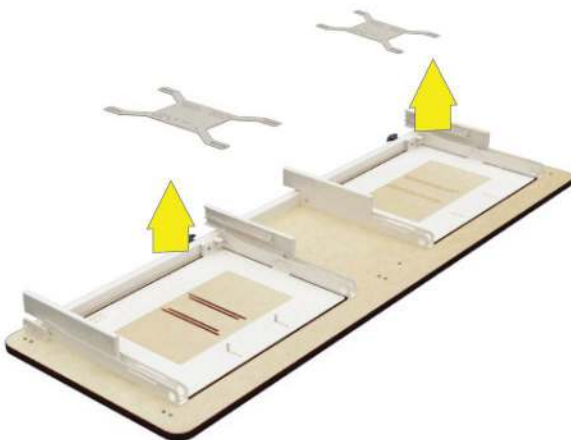
### LCD Monitor Holder

8mm Phillips Machine Screw



Qty:8

Remove the Monitor Holders from the surface. Then attach Monitor Holders using (4) 8mm Phillips Machine Screws on each LCD monitor Holder.



8mm Phillips Machine Screw

### Step 5

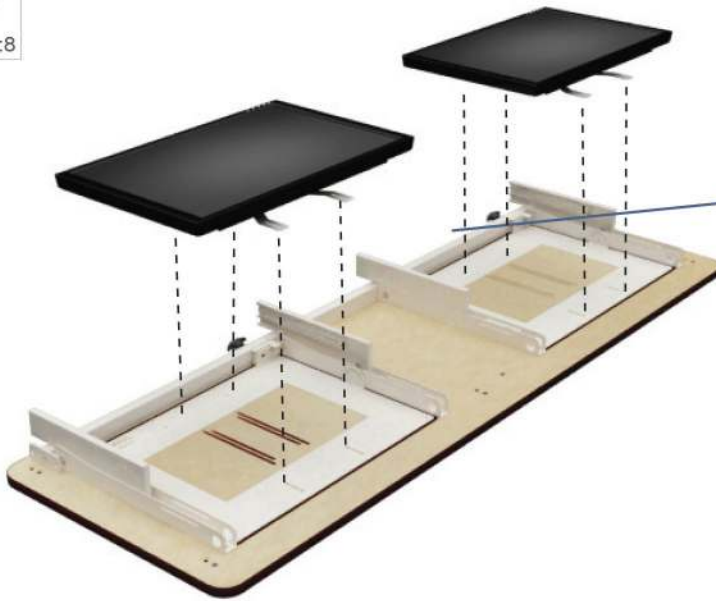
LCD Monitor

Attach LCD Monitor to surface using (4) 3/4" Phillips Pan Head Screw on each Monitor.

3/4" Phillips Pan Head Screw



Qty:8



3/4" Phillips Pan Head Screw

### Step 6

Main Platform

Place Main Surface on top of frame assembly with Cross Support facing forward and attach with 4 1/4-20 (Silver) Phillips Head Bolts. For the Cross Support use (4) 20mm (Black) Furniture Bolts.

**NOTE: For 24" deep desk use Hex Slot on frame to attach surface.**

20mm Furniture Bolt



Qty:4

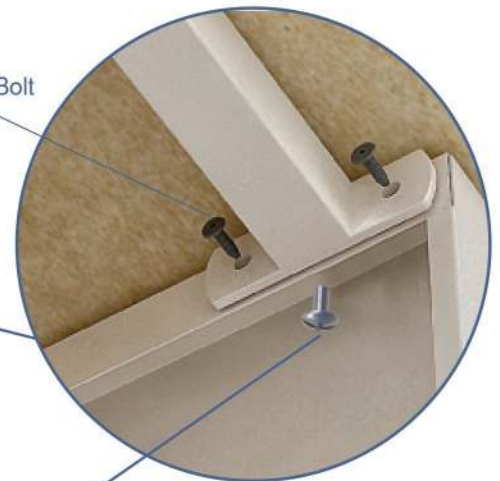
1/4-20 Phillips Head Bolt



Qty:4



20mm Furniture Bolt



1/4-20 Phillips Head Bolt

### Step 7

### Wire Management Clips

Cable Management Clip



Qty:3 for 36" & 48"  
Qty:6 for 60" & 72"

Insert Wire Management Clips to Channels on surface and run cables through for a cleaner look.



### Step 8

### Keyboard Tray

Hold and Place Keyboard Tray under the Main Platform.



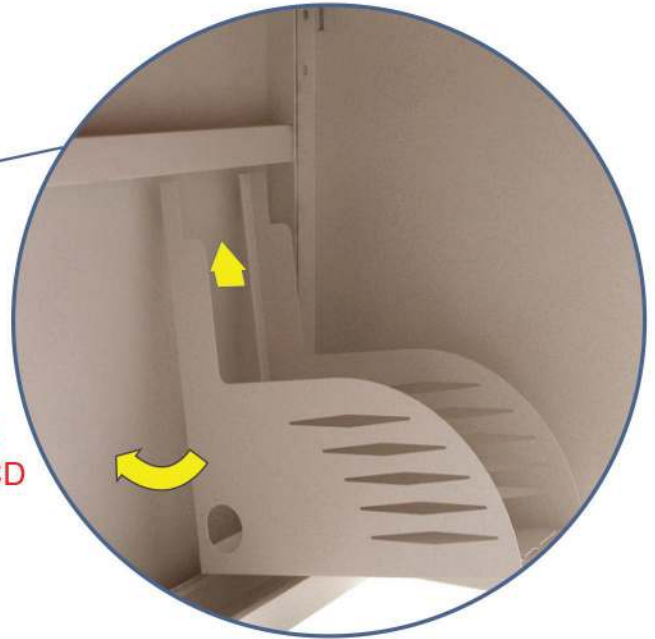
### Step 9

### Enclosed CPU Holder

Insert CPU Holders into Kick Panel Slots.



Place holders at each end to avoid damaging revolving LCD platform.



### Step 10

### CPU Tower Placement

Insert and place CPU Tower in holders. Use Thumb Screws to adjust fitting size of CPU Holder.

