



How can we improve our assembly instructions?
Your comments and suggestions are important to us.
Please e-mail us at: support@versatables.com.

Page 2 - Parts Included
Page 3 - 9 - Instructions
Page 10 - Link Bracket Addition

Page 1

Elevation Desk - ED

1" Wood Screw



Qty:2 for 36" & 48"
Qty:4 for 60" & 72"

1/4-20 Phillips Head Bolt



Qty: 4

20mm Furniture Bolt



Qty:15 for 36"
Qty:16 for 48"
Qty:17 for 60" & 72"

8mm LCD Flat Screen Mounting Screw



Qty:4 for 36" & 48"
Qty:8 for 60" & 72"

18mm LCD Flat Screen Mounting Screw



Qty:4 for 36" & 48"
Qty:8 for 60" & 72"

Leveling Glide



Qty:6

End Panel



Qty:2 Left and Right

Cable Management Clip



Qty:8 for 36" & 48"
Qty:12 for 60" & 72"

1/2" Socket Cap Machine Screw



Qty:8 for 36" & 48"
Qty:16 for 60" & 72"

carriage bolts



Qty: 2

Elevation Mechanism




Qty:1

Power Cord




Qty:1

Cross Support



(For 72" only)
Qty:1

Lift Controller



Qty:1 for 36" & 48"
Qty:2 for 60" & 72"

ECPU Holder



Qty:1 for 36" & 48"
Qty:2 for 60" & 72"

KD

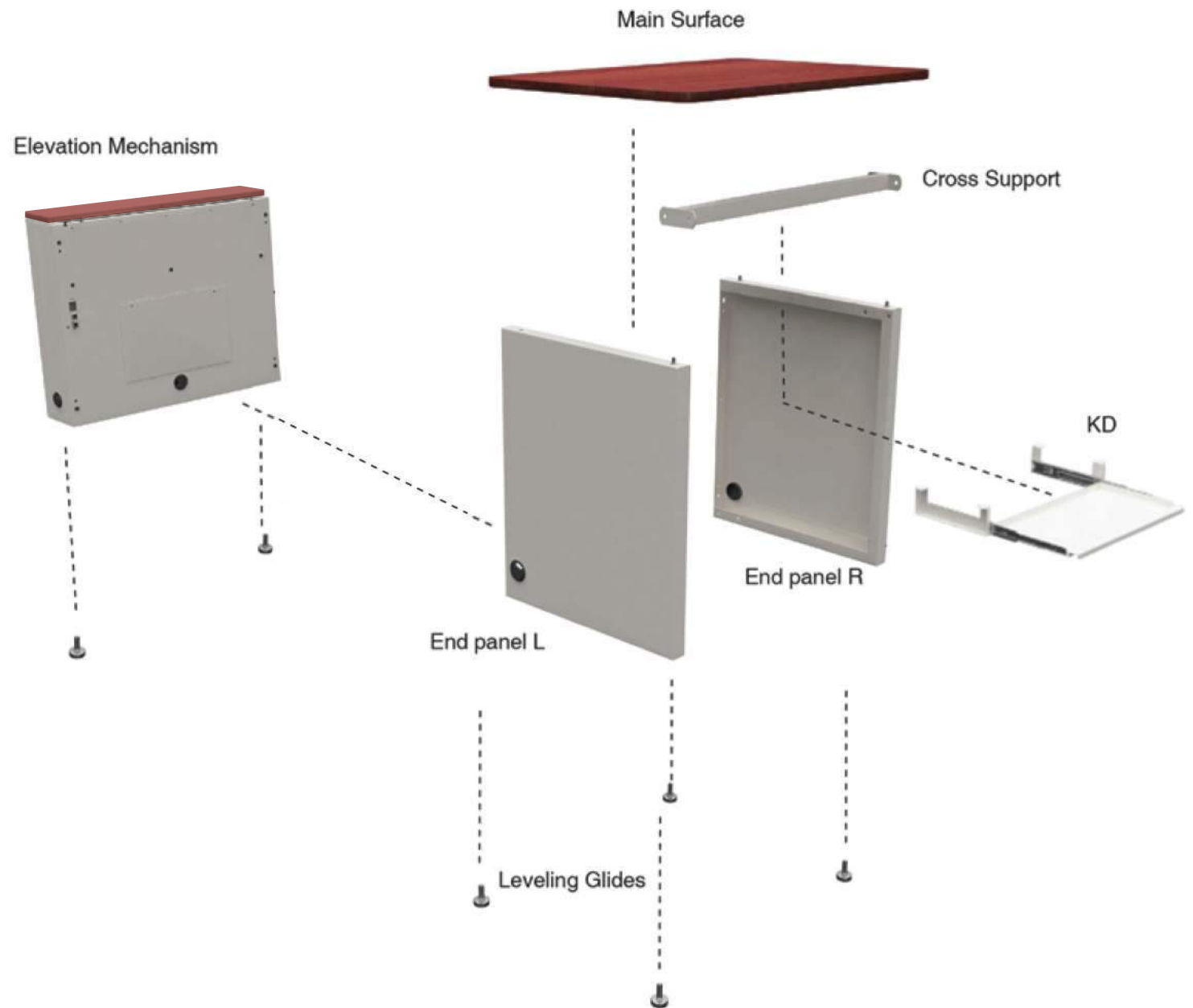


Qty:1 for 36" & 48"
Qty:2 for 60" & 72"

Work Surface



Qty:1



Step 1

Insert Glides and Fasten CPU Bracket

Fasten CPU holder to Elevation Mechanism using 20mm Furniture Bolts and carriage bolts. Insert Leveling Glides into underside of the Elevation Mechanism.

carriage bolts



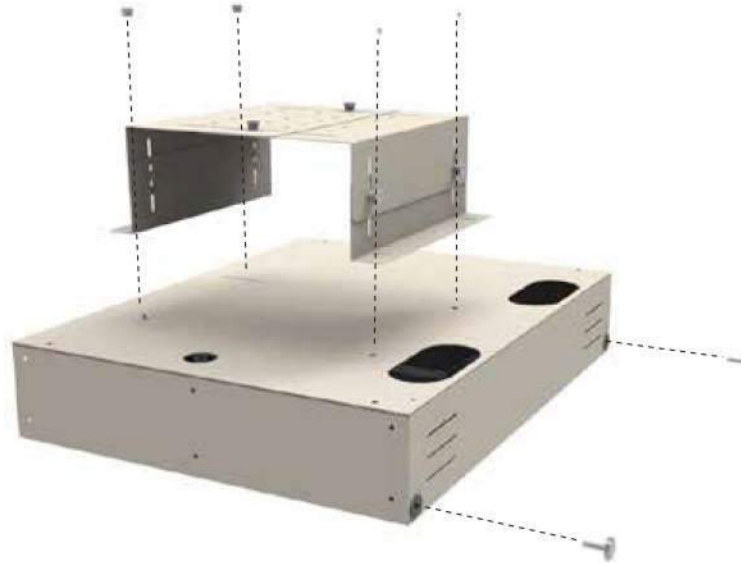
20mm Furniture Bolt



Leveling Glide



Qty:2



Step 2

Fasten Side Frame

Fasten Side Frame Panel to Elevation Mechanism using 20mm Furniture Bolts.

20mm Furniture Bolt

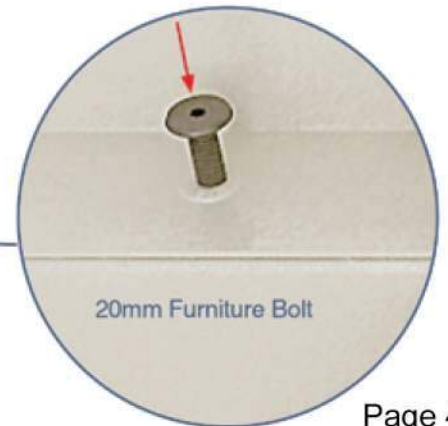
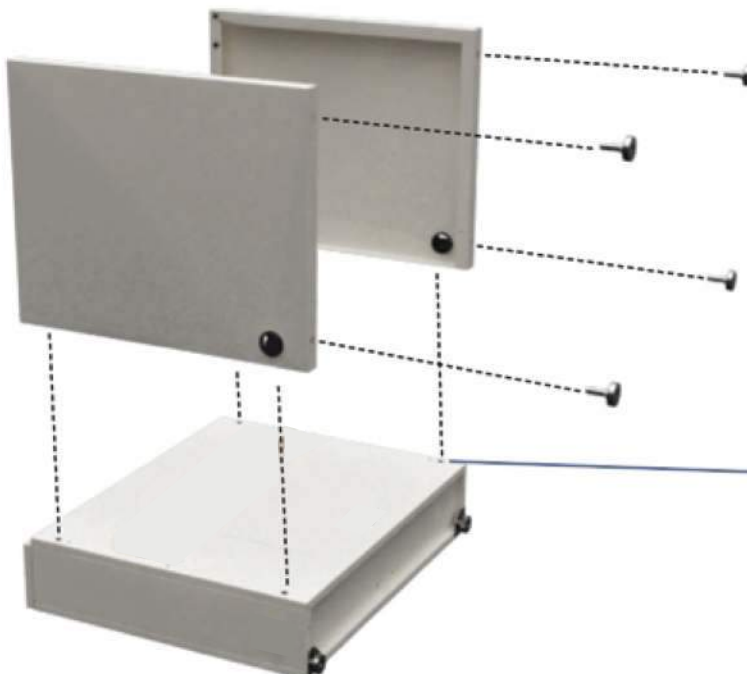


Qty:4

Leveling Glide



Qty:4



20mm Furniture Bolt

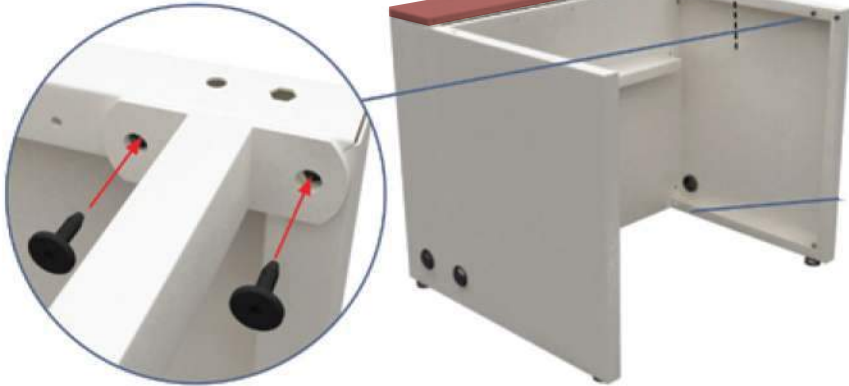
Step 3

Assemble Cable Tray and Cross Support

Fasten Cross Support to Side Panels using 20mm Furniture Bolts.



NOTE: Cross Support is only necessary for the 72" unit. All other sizes can skip this step.



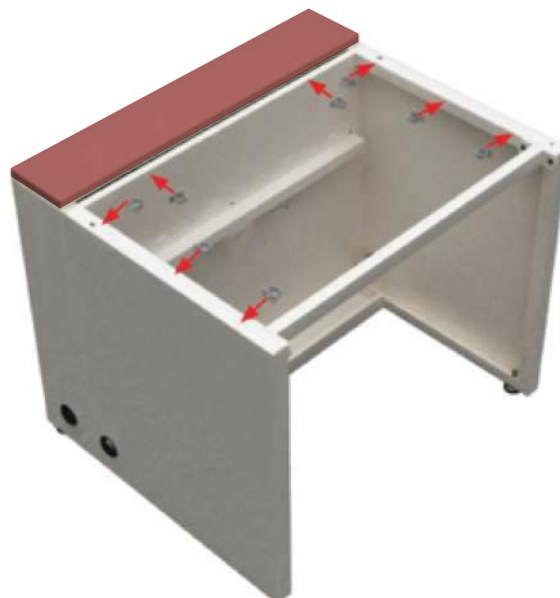
Step 4

Insert Cable Management Clip

Insert Cable Management Clip into Side Frame Panel and Elevation Mechanism



NOTE: some of the Clips will not be utilized. Insert as needed.

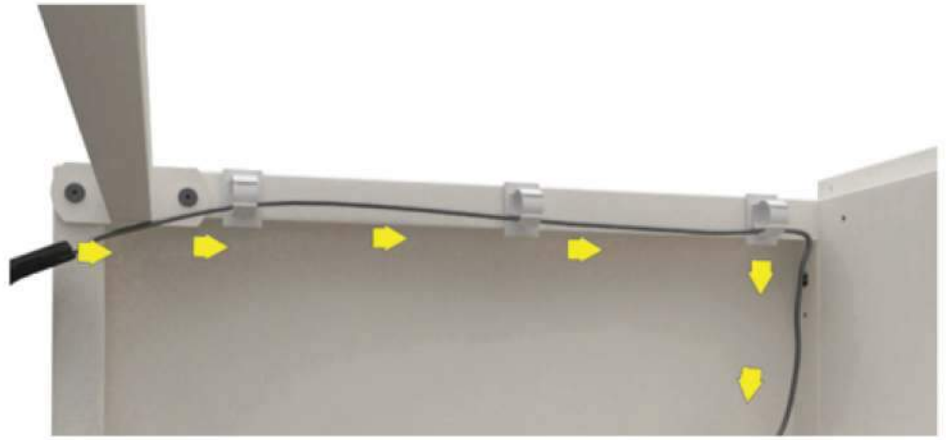


Step 5

Wiring

Run the lift controllers through cable management clips.

NOTE:
On right hand side for the 60" or 72" Desk use CAT5e coupler and CAT5e Patch Cord to reach control box.



Step 6

Wiring

Connect wires



Power Cord



Lift Controller Cord

NOTE: tuck cables into side panel compartment

Step 7

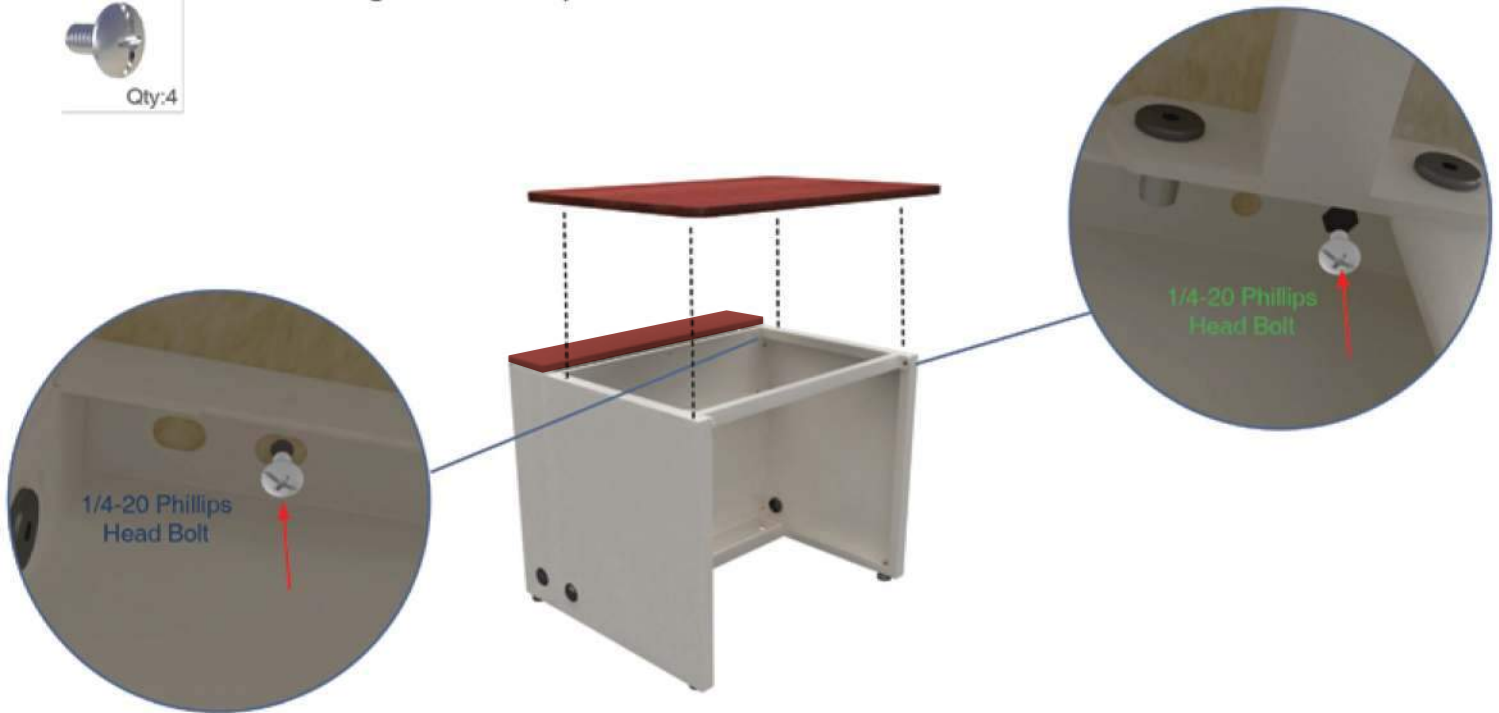
Attach Main Surface

1/4-20 Phillips Head Bolt



Qty:4

Fasten Surface to Top Side of Side Frame Panel using 1/4-20 Phillips Head Bolts.



Step 8

Fasten Lift Controller

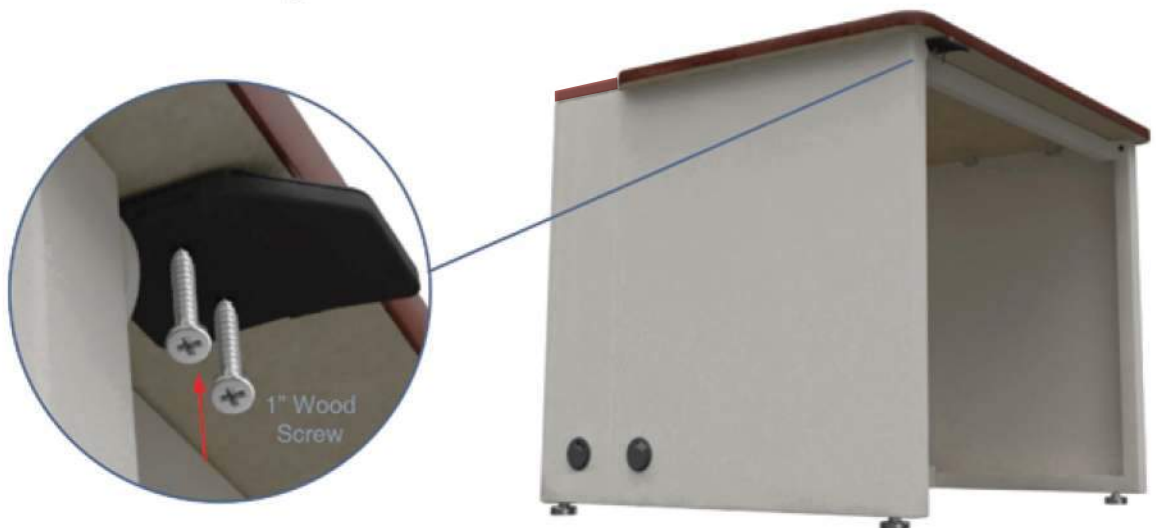
1" Wood Screw



Qty:2

Fasten Lift Controller to underside of Surface using 1" Wood Screws.

Note: Locate pre-drilled pilot holes when fastening



Step 9

Attach Monitor using four 8mm Phillips Machine Screws.

NOTE: First, power the unit and lift the mechanism.

Use 18mm Phillips Machine Screws with Spacers if necessary.

8mm Phillips
Machine Screw



Qty:4



NOTE: Access the mounting holes by rotating the base

Step 10

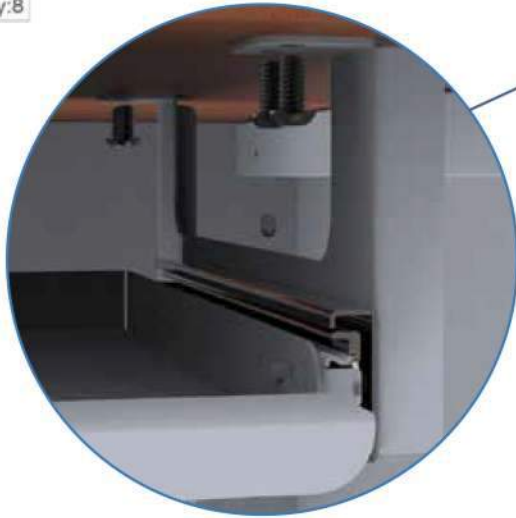
KD Brackets

Attach KD Brackets to the surface using (8) 1/2" Socket Cap Machine Screws

1/2" Socket Cap Machine Screw



Qty:8



Step 11

Attach Keyboard Tray

Slide keyboard tray into tracks.



How can we improve our assembly instructions?
Your comments and suggestions are important to us.
Please e-mail us at: support@versatables.com.

Step 12

Link Bracket

Link Bracket



1/2" Socket Cap Machine Screw



Qty: 4

Fasten Link Bracket using 1/2" Socket Cap Machine Screws to secure both Elevation Mechanisms together

