

## Micro Power Desk Riser

## Assembly Instructions



SINGLE

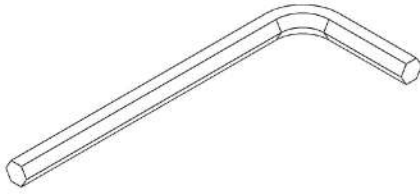


DUAL

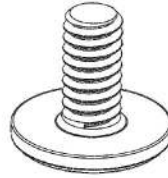


How can we improve our assembly instructions?  
Your comments and suggestions are important to us.  
Please e-mail us at: [support@versatables.com](mailto:support@versatables.com).

### Hardware Included



1/4"-20 Allen Key



1/4"-20 Furniture bolts (x4)



8mm Machine screws (x4 or x8)



Carriage bolt (x3)



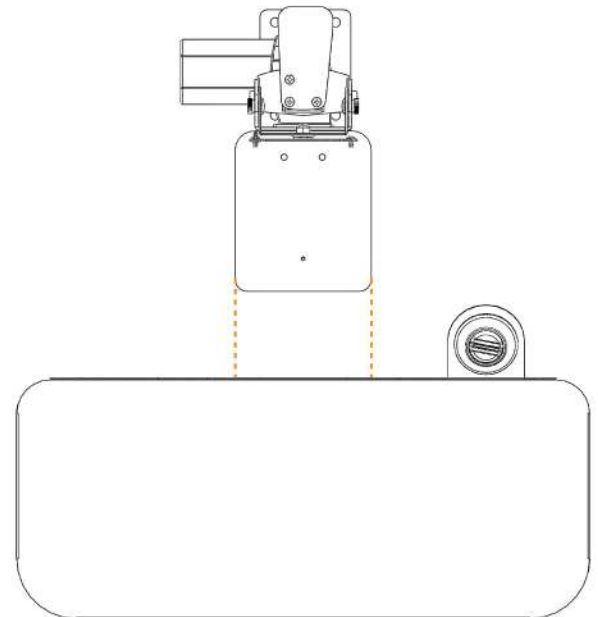
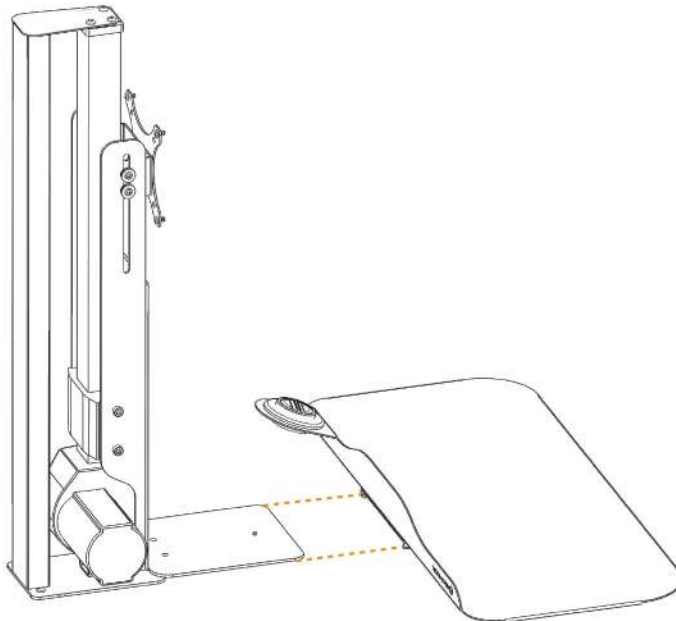
1/4" Bolt (x2)



Thumb nut (x4)

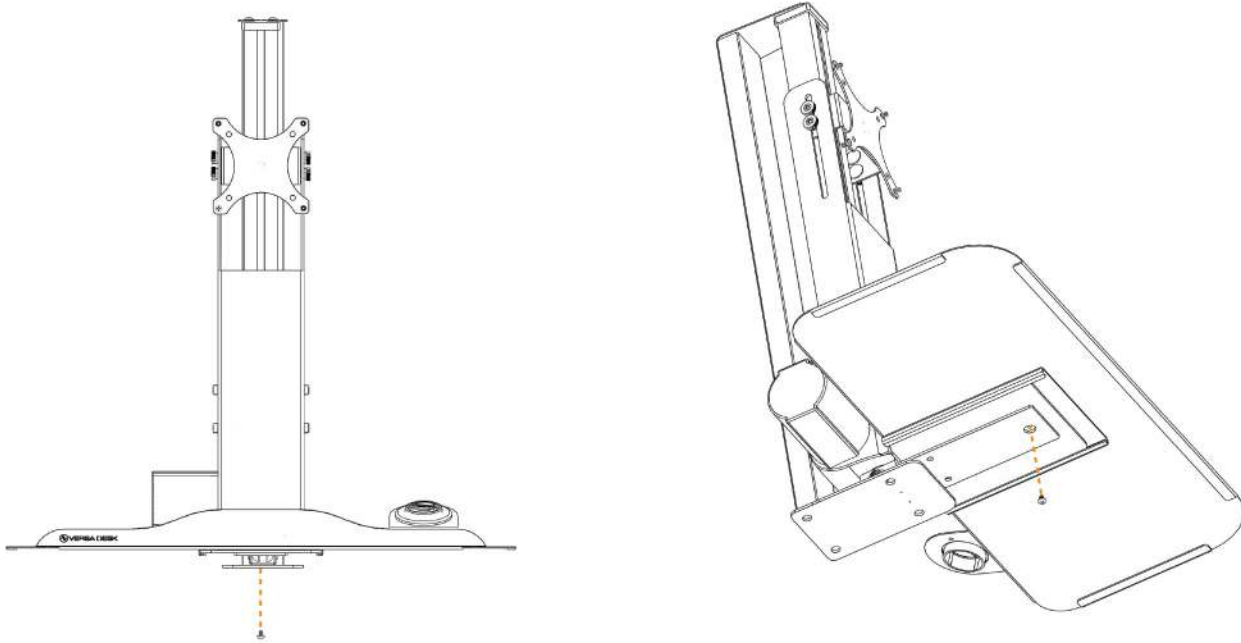
1

Insert key tray onto L flange, make sure guided rails catch both sides of flange. Then push it flush to the moving plate surface.



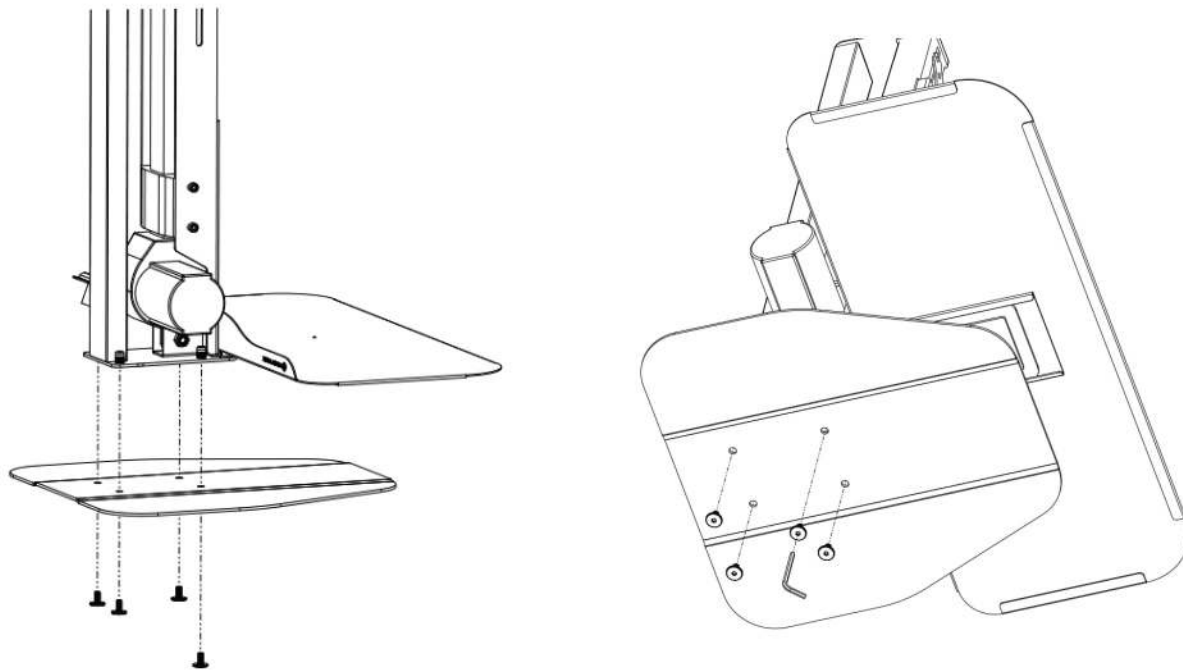
2

Tighten Phillips head self tapping screw 3/4 turn. Do not fully tighten screw this will cause friction in between both surfaces.



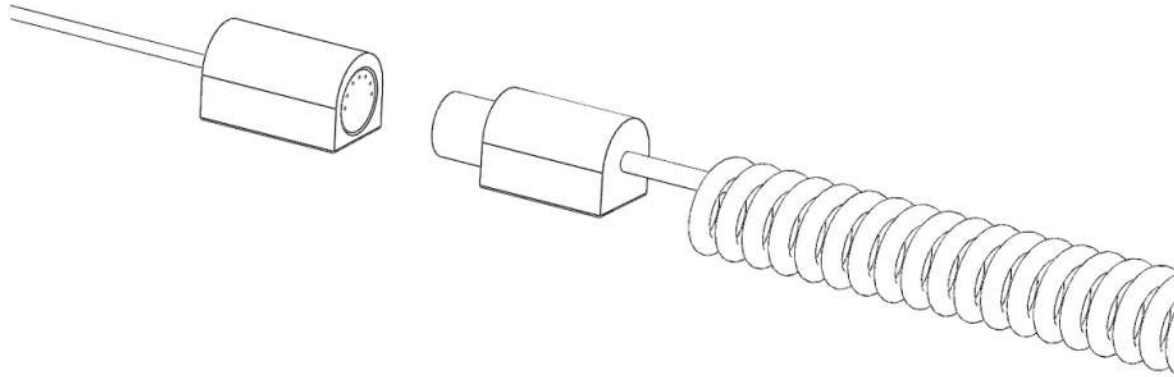
3

Insert 1/4"-20 Furniture bolts through bottom of base plate into inserts on the bottom of the other assembly. Make sure furniture bolts are securely tighten with allen key.



4

Connect male and female switch plugs for hand switch.



### Dual Monitor Instructions

5

Insert Lock bolts into self nesting holes and then hand tighten nuts and knob. Adjust to desired position then fully tighten with a wrench.

