

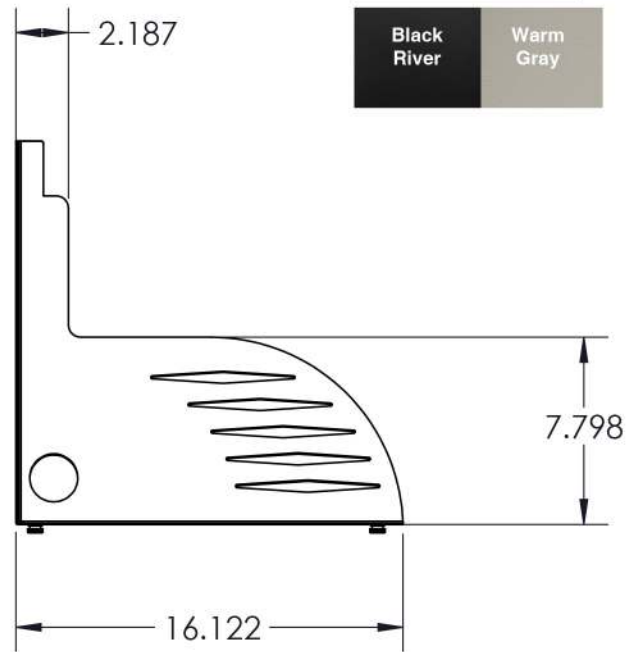
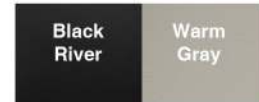
Enclosed CPU Holder

Specification Sheet



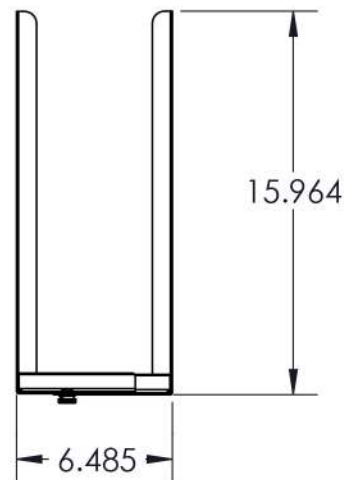
MODEL #	WIDTH RANGE	HEIGHT
EPCU	3.5" - 9"	15.964"

FRAME COLORS



KEY FEATURES

- Protects Your CPU
- Made Out of 18g High Grade Steel
- Rust-Proof, Scratch-Proof Steel
- Max CPU Size 24" Height & 8.75" Width
- Minimum CPU Size 4.875" Width
- Unique Two-Piece Case Design
- Allows Air Flow & Temp Control
- Mounts On Most VersaTables Desks and Tables



DIM varies