

Art Table - AT

Specification Sheet



KEY FEATURES

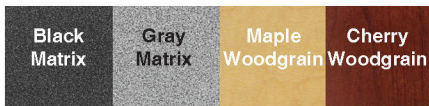
- Lifetime Warranty
- Fast Shipping
- Quantity Discounts
- High-Density Fiberboard Surface
- 14 Gauge Recycled Steel Frame
- High-Pressure WilsonArt Laminate
- Scratch / Dirt Resistant Power Coat
- Premium T-Molding
- Assembled in USA

MODEL #	WIDTH	DEPTH	ADJUSTABLE HEIGHT	WEIGHT
AT-3630	36"	30"	26" to 42"	84 lbs.
AT-4830	48"	30"	26" to 42"	102 lbs.
AT-6030	60"	30"	26" to 42"	120 lbs.

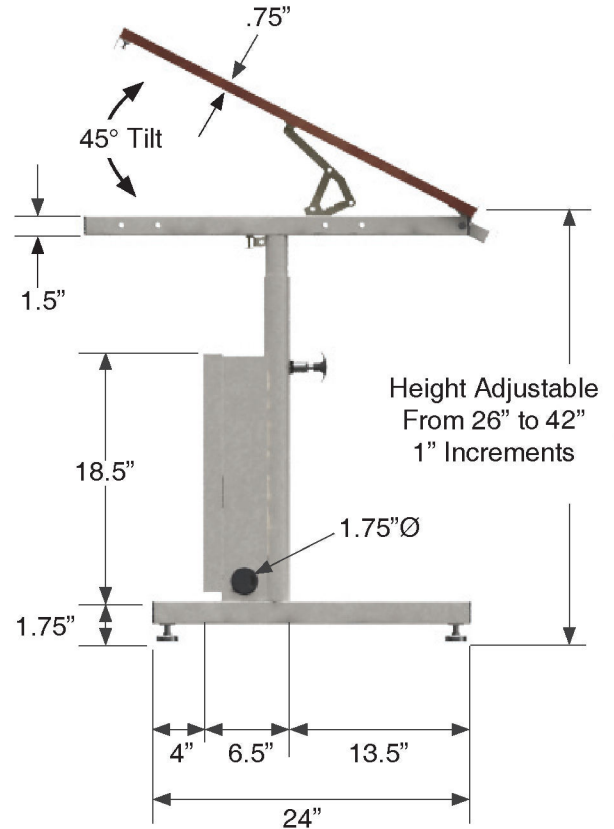
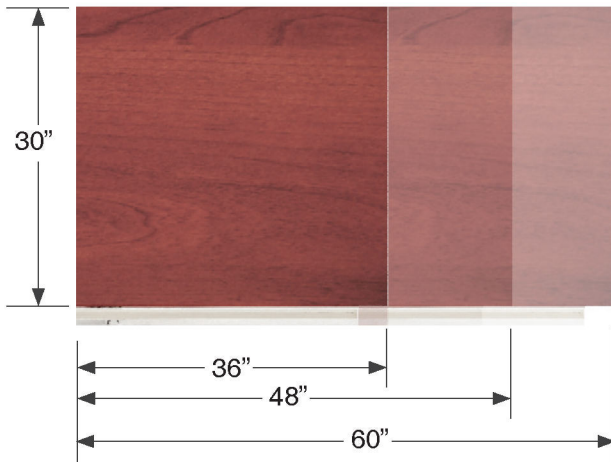
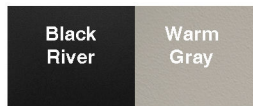
CERTIFICATIONS

- Buy American Act Compliant
- ANSI/BIFMA Certified
- LEED Credit Potential
- Sustainable Furnishings Council

SURFACE COLORS



FRAME COLORS



Underside View

