

Vision Drafting Table - VISDT

Specification Sheet

KEY FEATURES

- Lifetime Warranty
- Fast Shipping
- Quantity Discounts
- High-Density Fiberboard Surface
- 14 Gauge Recycled Steel Frame
- High-Pressure WilsonArt Laminate
- Scratch / Dirt Resistant Power Coat
- Premium T-Molding
- Assembled in USA

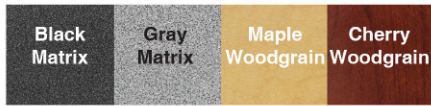
CERTIFICATIONS

- Buy American Act Compliant
- ANSI/BIFMA Certified
- LEED Credit Potential
- Sustainable Furnishings Council

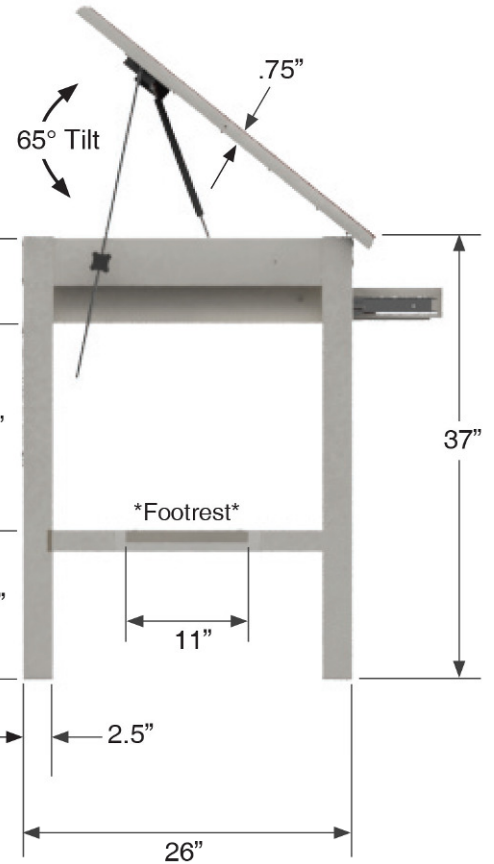
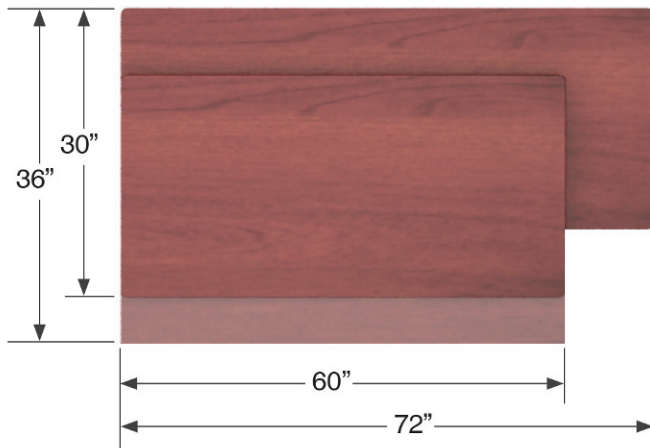
MODEL #	WIDTH	DEPTH	HEIGHT	WEIGHT
VISDT-6030	60"	30"	37"	154 lbs.
VISDT-6036	60"	36"	37"	173 lbs.
VISDT-7230	72"	30"	37"	177 lbs.
VISDT-7236	72"	36"	37"	192 lbs.



SURFACE COLORS



FRAME COLORS



Underside View

