

Ultra Flat Wall Mount Computer Station - UFWM **Specification Sheet**



KEY FEATURES

- Lifetime Warranty
- Fast Shipping
- Quantity Discounts
- 14 Gauge Recycled Steel Frame
- Scratch / Dirt Resistant Power Coat
- Assembled in USA

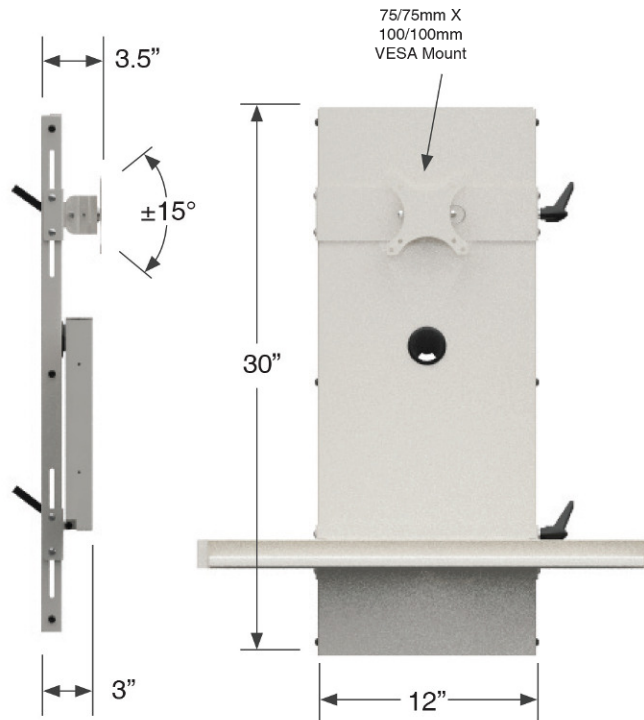
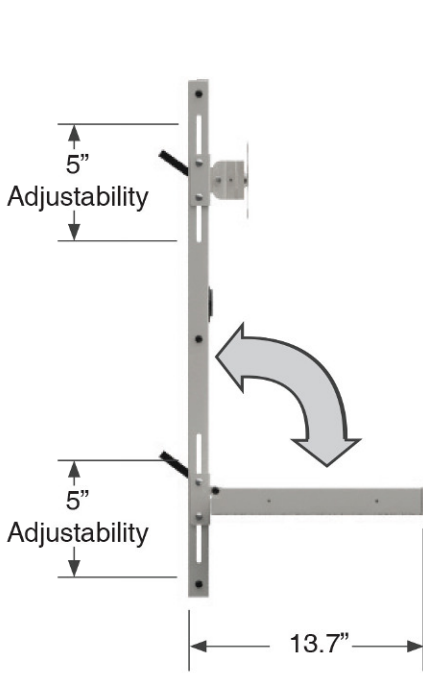
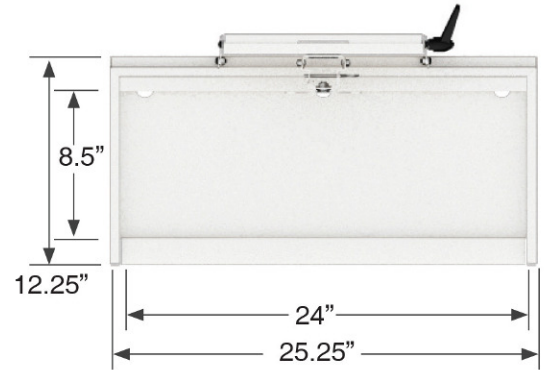
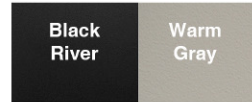
MODEL #	WIDTH	DEPTH	HEIGHT	WEIGHT
UFWM-2514	25"	14"	30"	40 lbs.

CERTIFICATIONS

- Buy American Act Compliant
- ANSI/BIFMA Certified
- LEED Credit Potential
- Sustainable Furnishings Council

SURFACE COLORS

FRAME COLORS



BACK VIEW

