

Deluxe Fusion Cart - DDFC

Specification Sheet

KEY FEATURES

- Lifetime Warranty
- Fast Shipping
- Quantity Discounts
- High-Density Fiberboard Surface
- 14 Gauge Recycled Steel Frame
- High-Pressure WilsonArt Laminate
- Scratch / Dirt Resistant Power Coat
- Premium T-Molding
- Assembled in USA

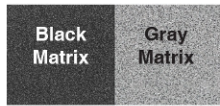
CERTIFICATIONS

- Buy American Act Compliant
- ANSI/BIFMA Certified
- LEED Credit Potential
- Sustainable Furnishings Council

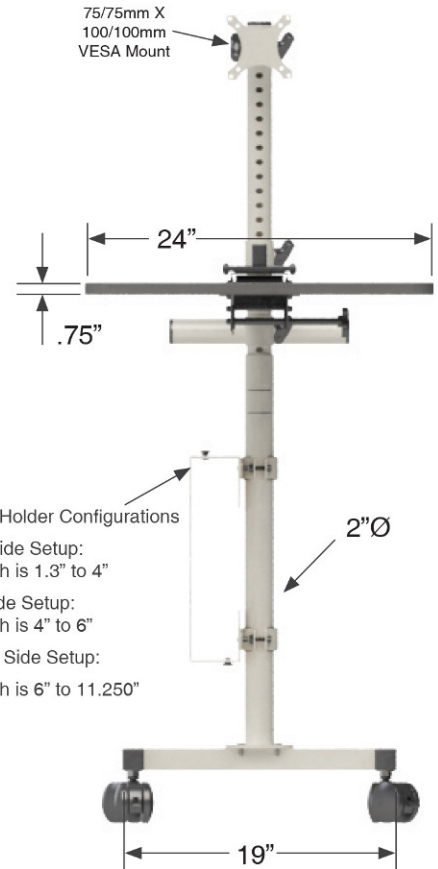
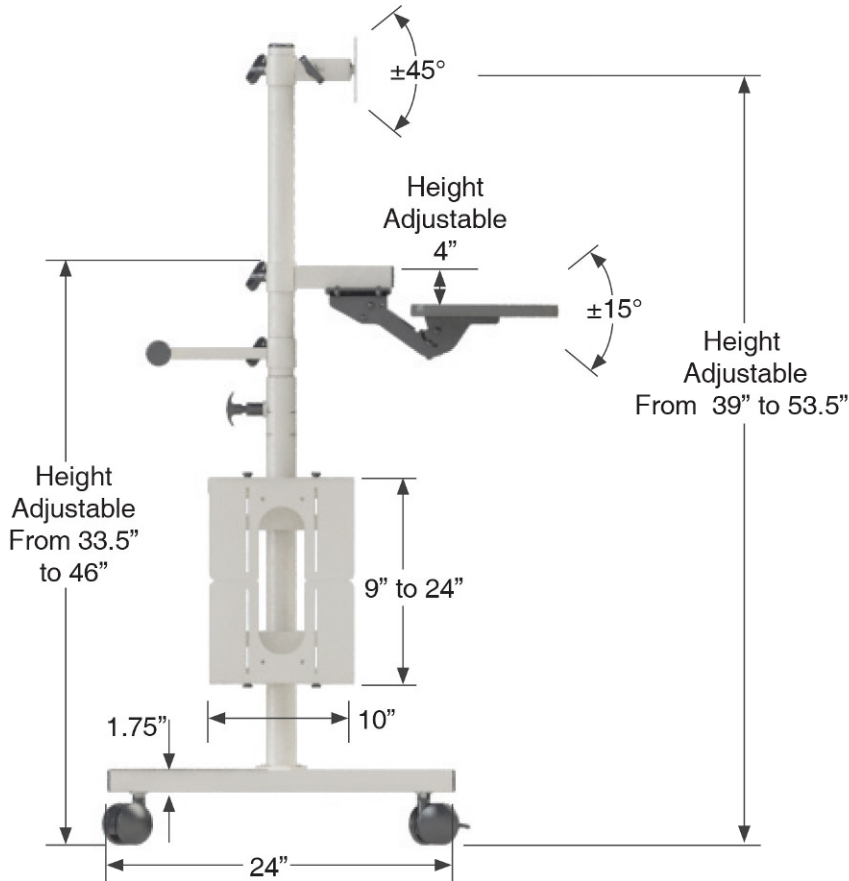
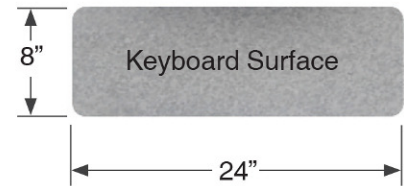


MODEL #	WIDTH	DEPTH	ADJUSTABLE HEIGHT	WEIGHT
DDFC-2419	24"	19"	39" to 53"	47 lbs.

SURFACE COLORS



FRAME COLORS



- DCPU Holder Configurations
- * Short Side Setup: CPU width is 1.3" to 4"
 - * Long Side Setup: CPU width is 4" to 6"
 - * Longest Side Setup: CPU width is 6" to 11.250"