

## Deluxe Keyboard Arm - DKA

## Specification Sheet

### KEY FEATURES

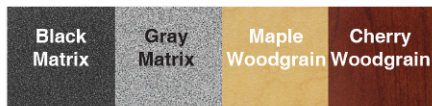
- Lifetime Warranty
- Fast Shipping
- Quantity Discounts
- High-Density Fiberboard Surface
- 14 Gauge Recycled Steel Frame
- High-Pressure WilsonArt Laminate
- Scratch / Dirt Resistant Power Coat
- Premium T-Molding
- Assembled in USA

MODEL #	WIDTH	DEPTH	HEIGHT	WEIGHT
DKA-2010	20"	10"		12 lbs.
DKA-2410	24"	10"		13 lbs.
DKA-2810	28"	10"		14 lbs.

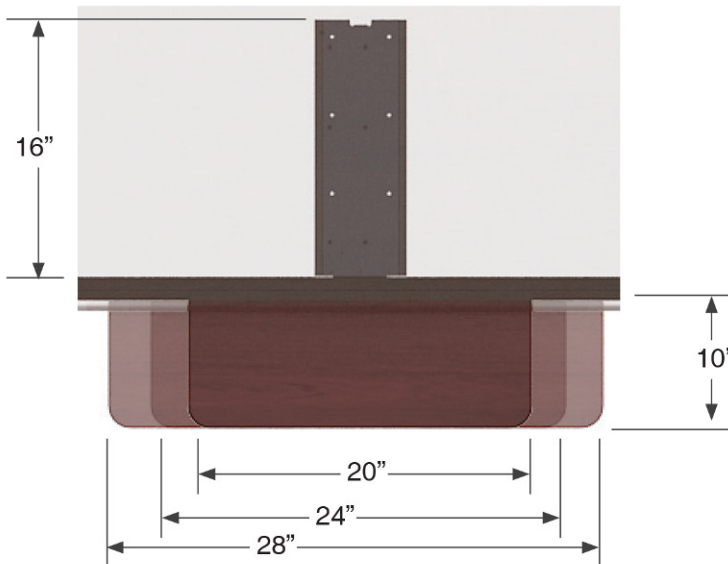
### CERTIFICATIONS

- Buy American Act Compliant
- ANSI/BIFMA Certified
- LEED Credit Potential
- Sustainable Furnishings Council

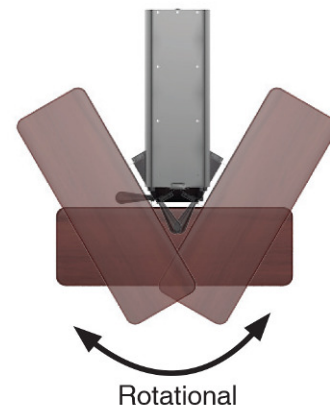
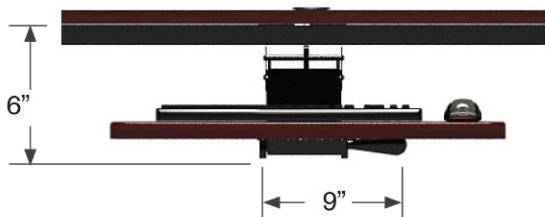
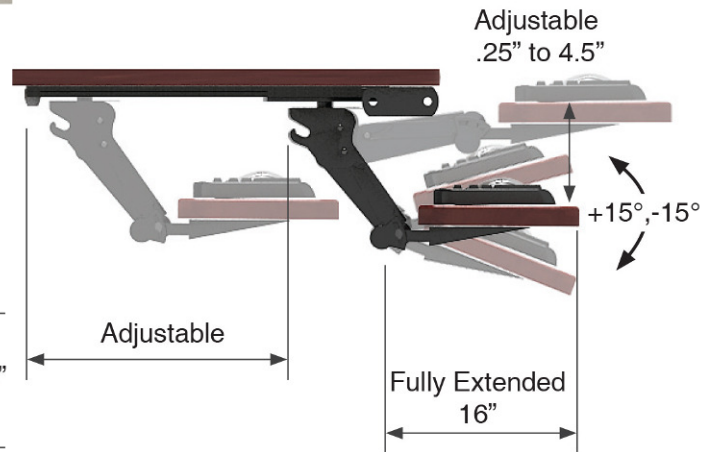
### SURFACE COLORS



### FRAME COLORS



Underside View



Rotational