

Versa Center - VC

Specification Sheet

KEY FEATURES

- Lifetime Warranty
- Fast Shipping
- Quantity Discounts
- High-Density Fiberboard Surface
- 14 Gauge Recycled Steel Frame
- High-Pressure WilsonArt Laminate
- Scratch / Dirt Resistant Power Coat
- Premium T-Molding
- Assembled in USA

CERTIFICATIONS

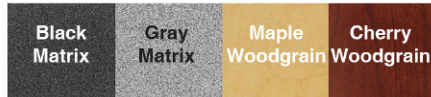
- Buy American Act Compliant
- ANSI/BIFMA Certified
- LEED Credit Potential
- Sustainable Furnishings Council

MODEL #	WIDTH	DEPTH	HEIGHT	WEIGHT
VC-2424	24"	24"	50" to 52"	70 lbs.
VC-3624	36"	24"	50" to 52"	101 lbs.
VC-4824	48"	24"	50" to 52"	116 lbs.
VC-6024	60"	24"	50" to 52"	139 lbs.
VC-7224	72"	24"	50" to 52"	153 lbs.

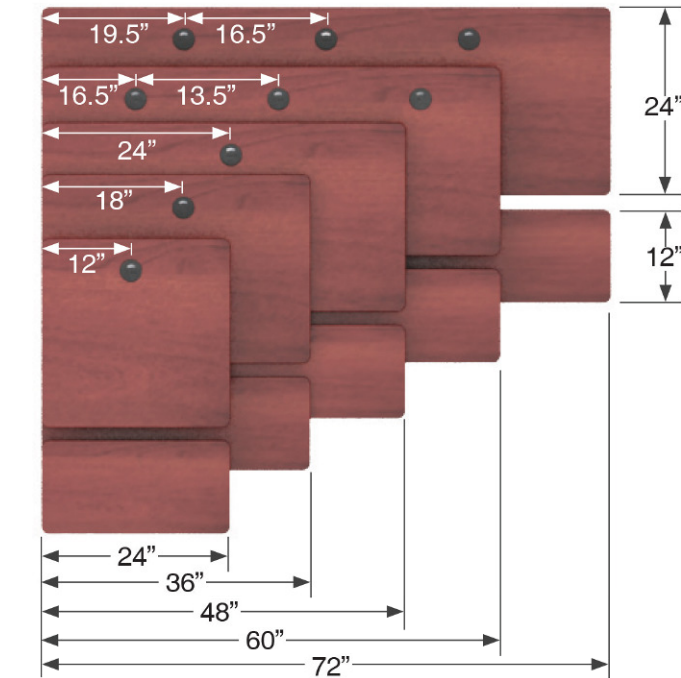
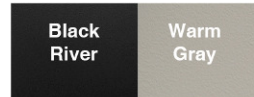
INCLUDED ACCESSORIES

- (1) Locking Caster Set
- (2) Speaker Platforms
- (1) Deluxe CPU Holder
- (1) Utility Platform 24" x 12"

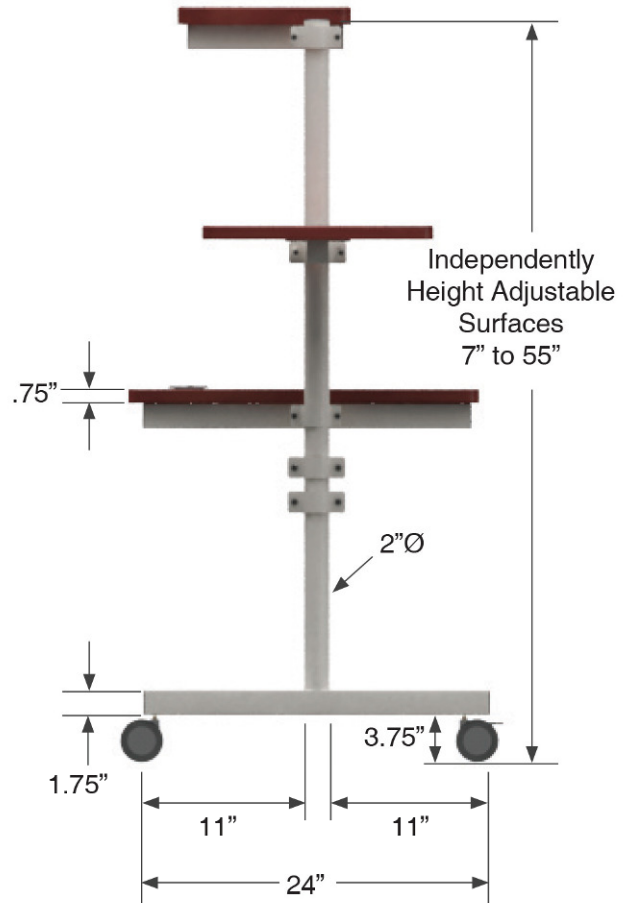
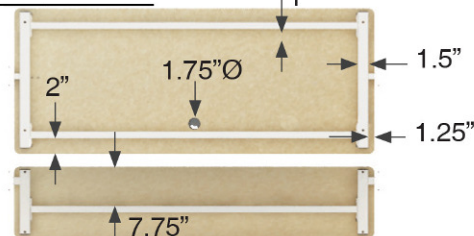
SURFACE COLORS



FRAME COLORS



Underside View



Lifetime Warranty



Quantity Discounts



Assembled in USA



Fast Shipping